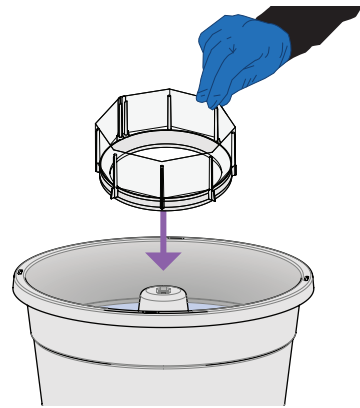
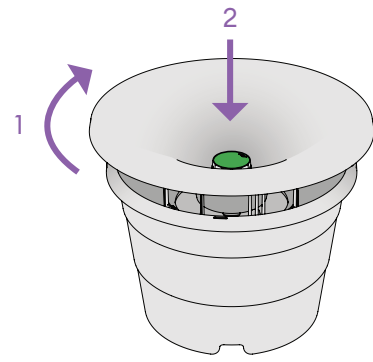


STEP 4 Floater Placement



Gently place floater on top of the water.

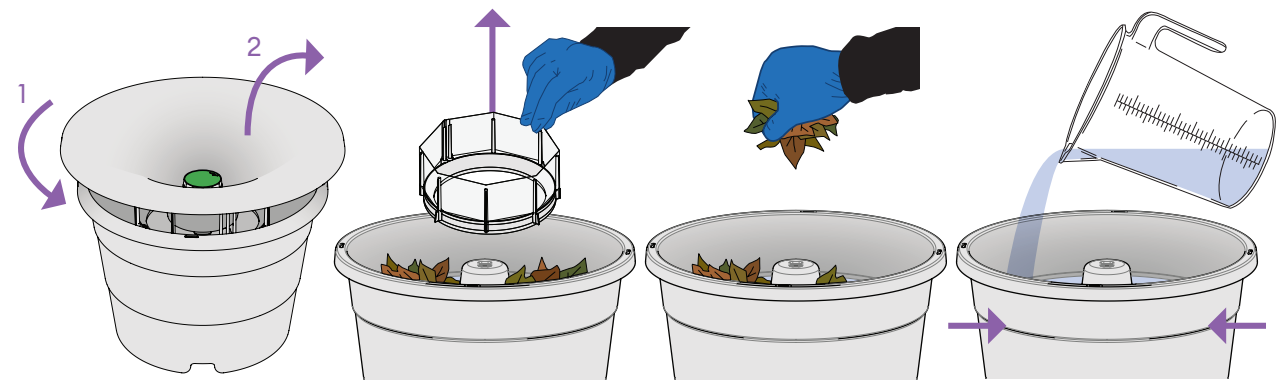


Secure lid (turning clockwise).

NOW YOU LET THE MOSQUITOES DO THE REST OF THE WORK FOR YOU!



STEP 5 Servicing



Remove lid (turn counterclockwise).

Remove floater.

Remove leaves and debris.

Fill water or replace dirty/smelly water.

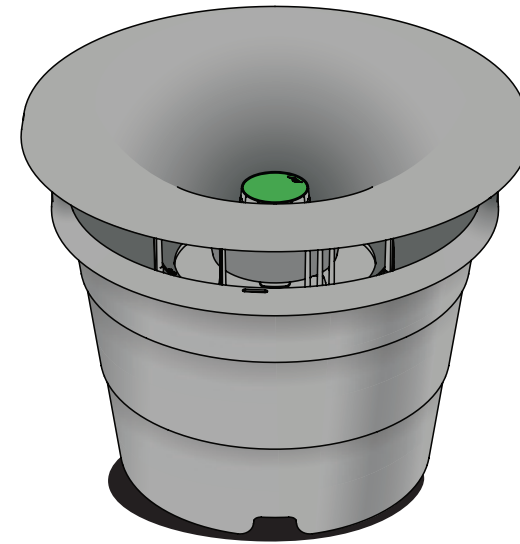


Replace In2Mix sachet and repeat steps 2-8.



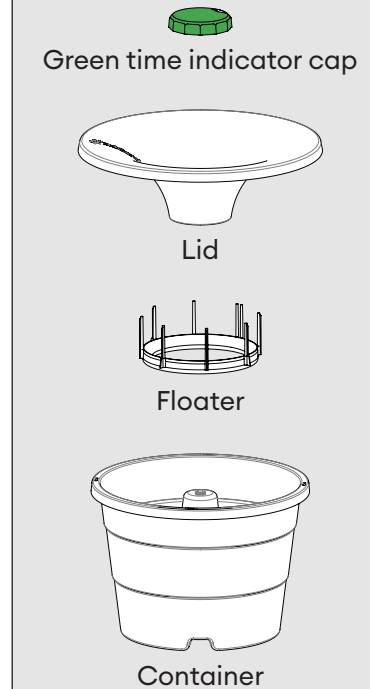
Installation Guide

Basic training to get the best results with the In2Care® Mosquito Station.



The In2Care® Mosquito Station turns mosquitoes into part of the solution, continuously controlling both adult mosquitoes and larvae, including *Aedes* and *Culex* species. When a female mosquito enters the station, an adulticide and larvicide adhere to its body, which it then carries to other breeding sites, contaminating them for six to 12 days. This targeted, multigenerational control works 24/7, requires no power, and is safe for yards and pollinators, allowing you to maintain effective mosquito management with minimal time and labor.

STATION PARTS



IN2MIX® REFILL SACHET SOLD SEPARATELY

IN2MIX® REFILL



Each In2Mix® refill sachet contains 2 attractant tablets, 0.5g In2Mix powder and 1 powered gauze.

ADDITIONAL PRODUCT INFORMATION



Visit Envu to learn more



Scan for a step-by-step guide to setting up the In2Care Station

Personal protective equipment (PPE) might be required in your state for applicator protection during handling and deploying pest control products. Read the full label included with the In2Mix refill sachets, and check your state requirements concerning the proper PPE guidance.



PLACEMENT RECOMMENDATIONS

One station per 4,300 square feet (approximately 10 per acre).

Large water bodies should be (frequently) treated separately with appropriate larvicides.

In dry areas, check water levels inside the station regularly.

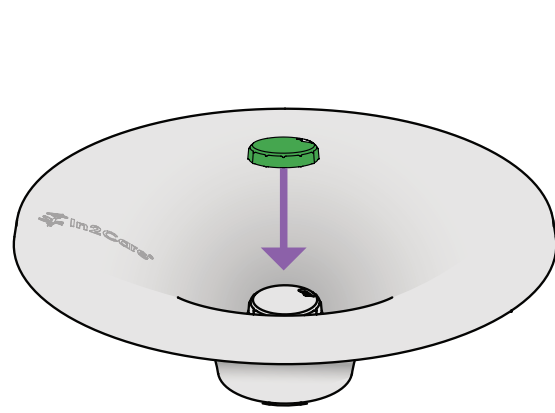


Remove or minimize other mosquito breeding sites such as flowerpots, buckets, tires, puddles, septic tanks and tree holes.

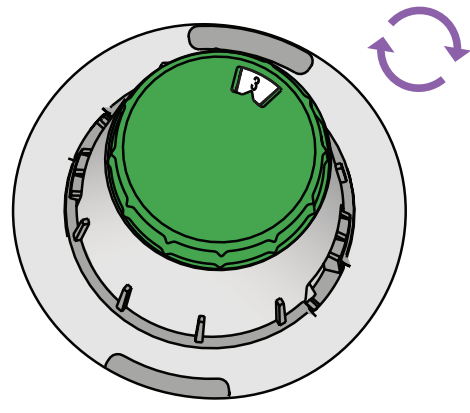
Place stations in shaded areas, ideally near human activity (e.g., one station near living spaces, two in the yard).

Evenly distribute stations across the area for optimal coverage.

STEP 1 Assembly and Placement



Attach green time indicator cap.

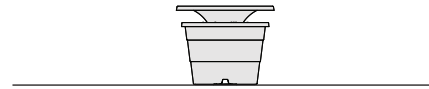


Set to month of installation.

Place station in a 100% SHADED area.

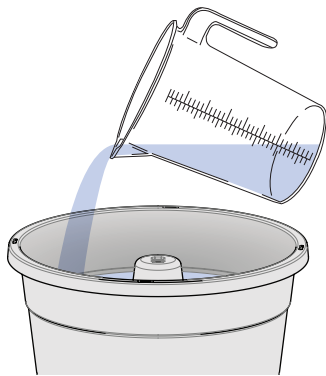


Place on a LEVEL surface.

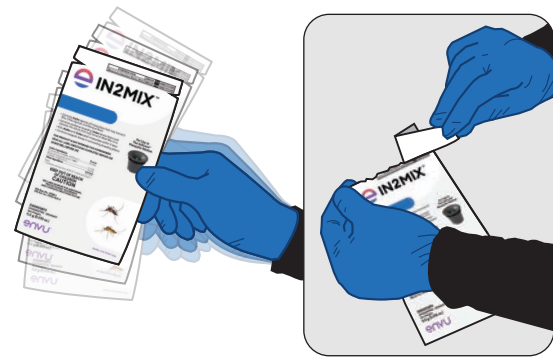


Do **NOT** place on uneven terrain.

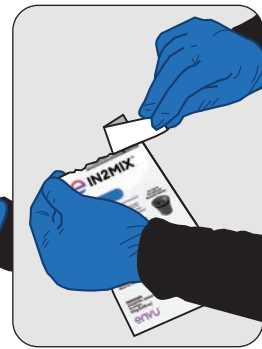
STEP 2 In2Mix Sachet



Add 5 liters (\pm 1.3 gallons) of water.



Shake well.



Tear open.



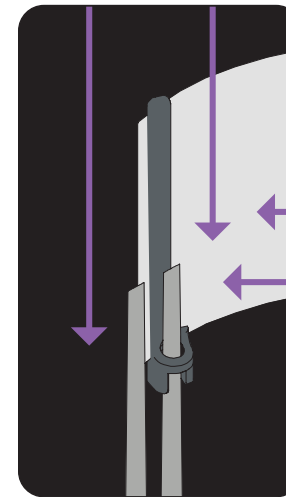
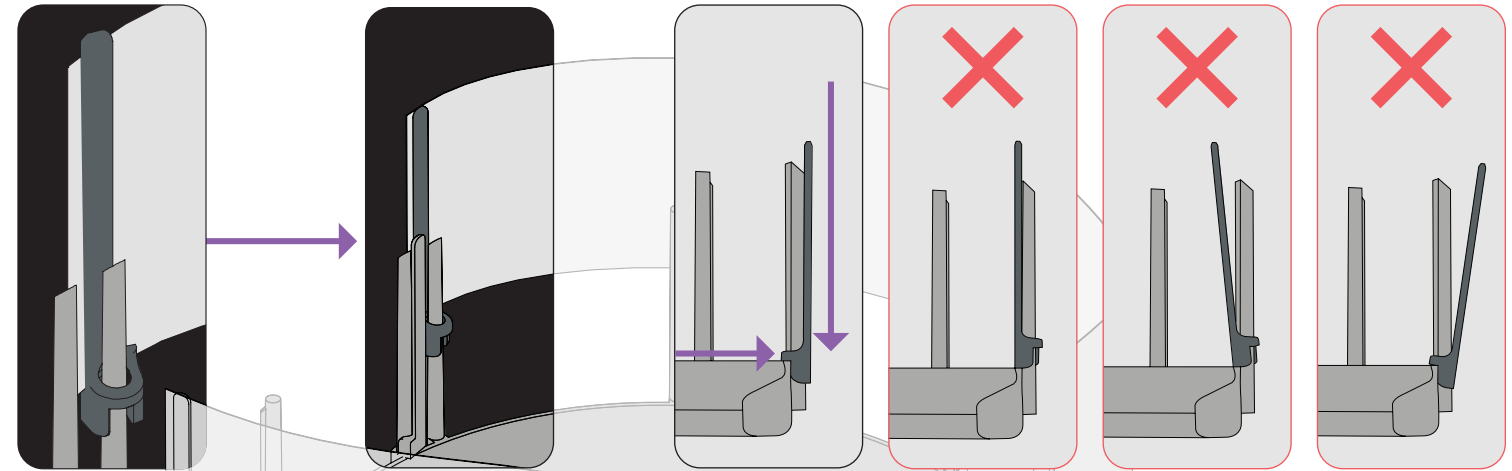
Take out gauze.



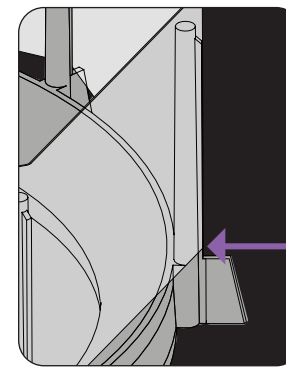
Pour powder and tablets in water.

2

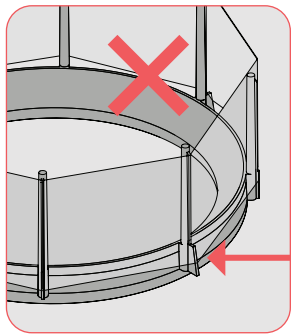
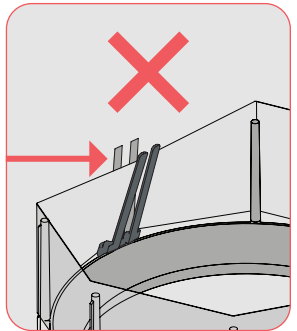
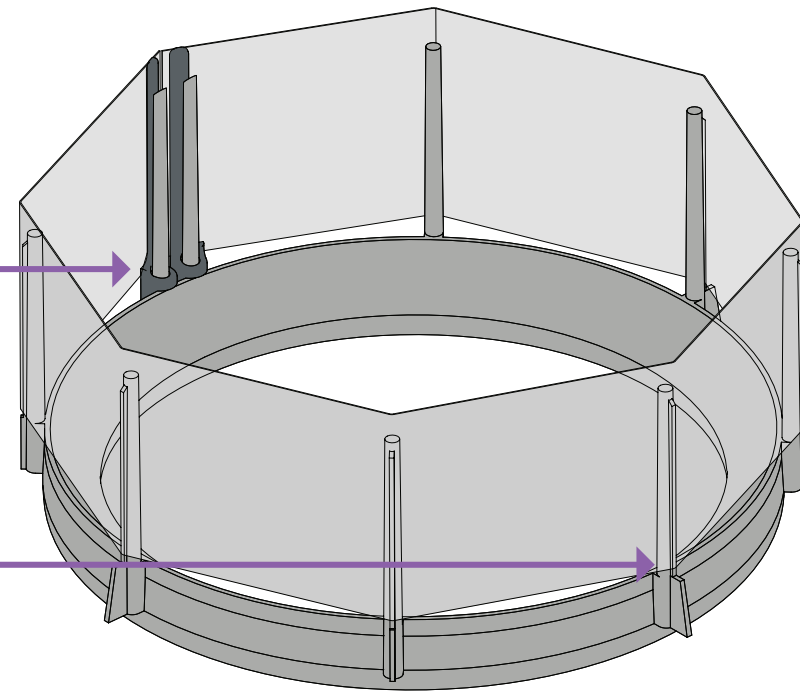
STEP 3 Gauze Installation Always keep gauze dry.



Push down both pins firmly.



Check gauze position on floater.



3